

- NO DRILLING CONCRETE
- NO USING ROD COUPLERS
- NO SPECIAL INSPECTION
- NO INSTALLER ERROR



The Original, Patented...

# BLUE BANGER HANGERS

*The inserts that changed the anchoring industry*



Patented Blue Banger Hangers have been engineered to save you time and money

Each insert handles multiple threaded rod diameters and installs much faster than post installed anchors

The insert of choice for Mechanical, Plumbing, Fire Sprinkler and Electrical contractors



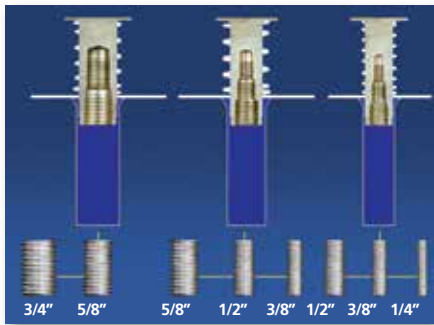


# BLUE BANGER HANGERS

ISAT's Blue Banger Hangers have been *engineered to save you time and money* and are backed by industry leading test approvals design and application engineering.

- **Reduce your labor costs**
- **Reduce inventory**
- **Increase project flexibility**
- **Improve the integrity of your MEP support system**

Each insert *handles multiple threaded rod diameters and installs in a fraction of the time of post installed anchors*. Blue Banger Hangers are the insert of choice for Mechanical, Plumbing, Fire Sprinkler and Electrical contractors. No drilling concrete, no using rod couplers, no special inspection and no installer error!



Example Shown (SDI)

## All Blue Hangers Feature Multiple Internal Threads

- Reduces inventory so each insert can accommodate multiple rod sizes
- Allows for threaded rod size changes after inserts are installed
- Internal threads eliminate the need and cost of couplings



### EASY 2-STEP INSTALLATION



1) Drill It



2) Bang It

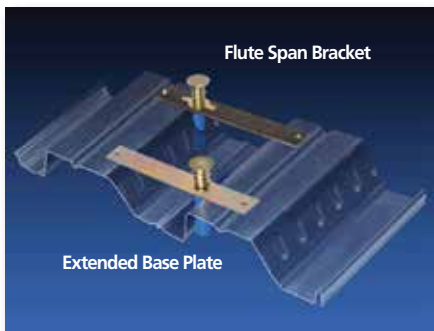


## Steel Deck Insert (SDI)

### Pre-Poured Concrete Steel Deck Inserts

SDI's are installed prior to pouring reducing installation costs, material costs and increasing strength values.

- Provides excellent shear values for overhead attachments
- Insert can be used through or between ribs
- Internal threads eliminate the need and cost of couplings
- 3" Inch Blue Plastic Sleeve keeps internal threads clean
- Extended length makes insert easy to locate even with fireproofing on deck underside
- Plastic sleeve provides guidance to align threaded rod with matching internal female threads
- UL plenum rated for use in air handling spaces
- Fully cracked concrete tested for vertical and dynamic seismic loading



## Flute Span Bracket

- Allows the SDI to be installed at the side of the flutes
- Enables the SDI to realize the higher capacity that is achieved in the upper flute
- Positions all inserts on the project at the same elevation to eliminate multiple all thread rod lengths and improve the accuracy of off site prefabrication

PART#	PART #	HOLE DIA	BOX QTY
SDI143812	1/4", 3/8" and 1/2" Steel Deck Insert	13/16" - 7/8"	100
SDI381258	3/8", 1/2" and 5/8" Steel deck Insert	1-1/8" - 1-3/16"	50
SDI5834	5/8" and 3/4" Steel deck Insert	1-3-16" - 1-1/4"	50
SDIFSB1	Flute Span Bracket for SDI143812		Bulk
SDIFSB2	Flute Span Bracket for SDI381258		Bulk
SDIFSB3	Flute Span Bracket for SDI5834		Bulk
SDI143812FSB	1/4", 3/8" and 1/2" SDI with Flute Span Bracket	13/16" - 7/8"	Bulk
SDI1381258FSB	3/8", 1/2" and 5/8" SDI with Flute Span Bracket	1-1/8" - 1-3/16"	Bulk
SDI5834FSB	5/8" and 3/4" SDI with Flute Span Bracket	1-3-16" - 1-1/4"	Bulk

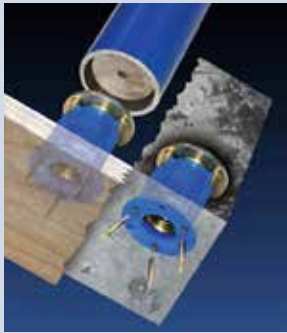
Add "BAA" to the end of the part number for the Buy American Act compliant insert

# FEATURES AT A GLANCE

- Reduce labor costs
- Unparalleled testing & world class technical support
- No more drilling
- Ideal for gravity & seismic anchorage
- Multiple internal threads reduces inventory
- Allows rod size changes after installation
- Internal threads eliminate costly couplings
- No special inspection
- Installs fast and secure
- Fully cracked concrete tested for vertical and dynamic seismic testing



Easily Change Rod Sizes After Installation



## Pour-in-Place Insert (PIP)

### Wood Form Concrete Decks

ISAT's Pour In Place inserts are used on wood form poured decks and installed prior to pouring reducing installation and material costs.



- Features the same benefits as the SDI plus...
- Nails easily break off
- Plastic ring creates countersunk recess to keep threads clean from pour residue
- Blue plastic ring acts as insert locator when forms are removed



PART#	PART #		BOX QTY
PIP143812	1/4", 3/8" and 1/2"	Poured-in-Place Insert	200
PIP381258	3/8", 1/2" and 5/8"	Poured-in-Place Insert	150
PIP5834	5/8" and 3/4"	Poured-in-Place Insert	150

Add "BAA" to the end of the part number for the Buy American Act compliant insert

**NO  
DRILLING  
CONCRETE**

**NO  
USING ROD  
COUPLERS**

**NO  
SPECIAL  
INSPECTION**

**NO  
INSTALLER  
ERROR**



## Roof Deck Insert (RDI)

### For No-Concrete Steel Decks

Roof Deck Insert anchors have a low profile attachment plate that does not protrude into roofing membrane.



- Features the same benefits as SDI and PIP plus...
- Fully assembled for field installation including pre-staked deck screws
- Vertical support loads of 300 lbs. in 20 gauge deck
- Designed to install on top or bottom deck flute
- Low profile attachment plate does not protrude into roofing membrane

PART#	PART #	HOLE DIA	BOX QTY
RDI143812	1/4", 3/8" and 1/2"	Roof Deck Insert	13/16" - 7/8" 50

Add "BAA" to the end of the part number for the Buy American Act compliant insert

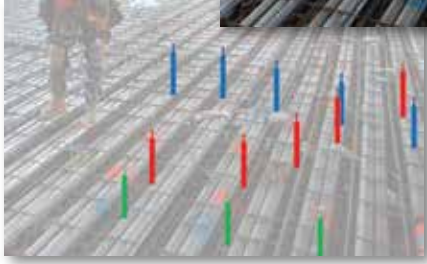
os**h**pd



Backed By: ICC Report ESR-3599  
Granted Under AC446



Blue Banger Hanger  
Patent Numbers  
US 6,240,697 B1  
and US 7,093,400 B1



## ID Tabs for Blue Banger Hangers

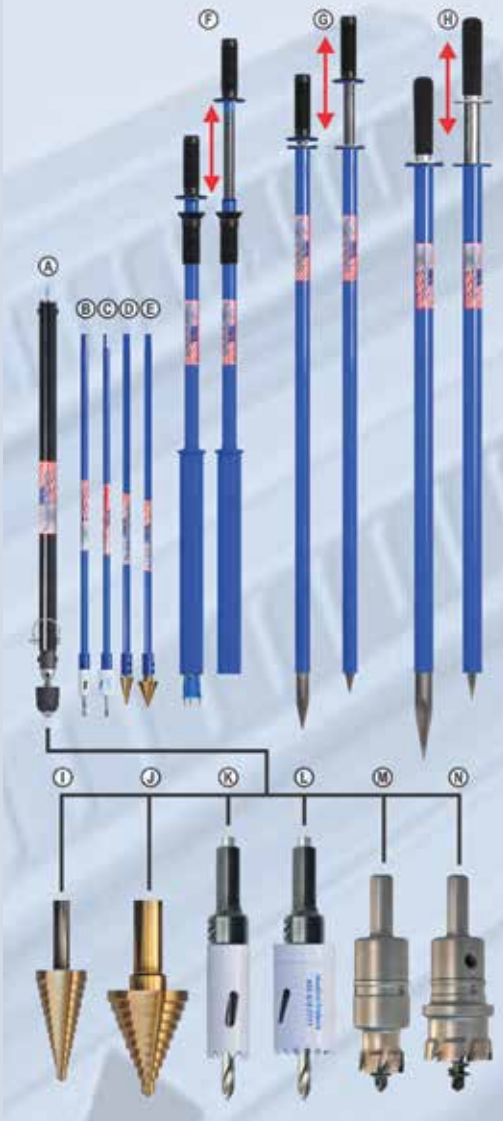
*Easily ID Different Trades or Systems*

- Saves time
- Quick installation
- Multiple colors available
- Eliminates confusion between multiple systems and trades
- Labels can be adhered or notes with a marker
- Provides easy identification from the ground

HEA-PT 38125A	FLUORESCENT YELLOW
HEA-PT 38125B	FLUORESCENT PINK
HEA-PT 38125C	FLUORESCENT BLUE
HEA-PT 38125D	FLUORESCENT PURPLE
HEA-PT 38125E	FLUORESCENT RED
HEA-PT 38125F	FLUORESCENT ORANGE
HEA-PT 38125G	WHITE
HEA-PT 38125H	GREEN (PMS 354)
HEA-PT 38125I	BROWN (PMS 469)
HEA-PT 38125J	NAVY BLUE (PMS 274)
HEA-PT 38125K	GREY (COOL GREY)
HEA-PT 38125L	FLUORESCENT GREEN

## Pole Tools and Accessories

*Easy Installation Tools Saves Labor and Reduces Back Strain*



PART#	DESCRIPTION
A	POLMKEY36 3'-6' Telescoping Install Tool w/Keyless Chuck
B <sup>1</sup>	SDDHS1 30" Deck Driller with 13/16" Hole Saw
C <sup>2</sup>	SDDHS2 30" Deck Driller with 1-3/16" Hole Saw
D <sup>1</sup>	SDDSB4 30" Deck Driller with 3/16 - 7/8" Step Bit
E <sup>2</sup>	SDDSB5 30" Deck Driller with 1/4" - 1-3/8" Step Bit
F <sup>3</sup>	PIPINSTALL1 Bazooka PIP Install Tool
F <sup>4</sup>	PIPINSTALL2 Bazooka PIP Install Tool
G <sup>1</sup>	BBDP1 13/16" Deck Punch
H <sup>2</sup>	BBDP2 1-3/16" Deck Punch
I <sup>1</sup>	SB4 3/16 - 7/8" Step Bit
J <sup>2</sup>	SB5 1/4" - 1-3/8" Step Bit
K <sup>1</sup>	HS1 13/16" Hole Saw Only
L <sup>2</sup>	HS2 1-3/16" Hole Saw Only
K&L	HSA Arbor for Hole Saw Only
M <sup>1</sup>	HSC1 13/16" Carbide Tip Hole Saw Only
N <sup>2</sup>	HSC2 1-3/16" Carbide Tip Hole Saw Only
M&N	HSCA Arbor for Carbide Tip Hole Saw Only

1 For use with SDI143812 and RD1143812  
 2 For use with SDI381258 and RD15834  
 3 For use with PIP143812 only  
 4 For use with PIP143812, PIP381258 and PIP5834



# POLE TOOLS & ACCESSORIES



East Coast Headquarters  
**704-841-4080**

www.ISATsb.com

© ISAT, All Rights Reserved (A Division of Tomarco Industries)



West Coast Headquarters  
**800-795-8871**